

Wessex Scale Co

Jumbo Weigher



5t to 20t capacities



Remote control



High Accuracy



LED Display



Rechargeable
Batteries



Wessex Scale Co

Specifications

Supplied by, Wessex Scale Co, Lower Mill, Exford Nr Minehead Somerset TA24 7QE
 Tel: 0845 472 5345 Fax: 01643 800 299 Email: sales@wessexscales.co.uk
 Website: www.wessexscales.co.uk

Heavy duty crane scale designed to be used in the harshest industrial environments.

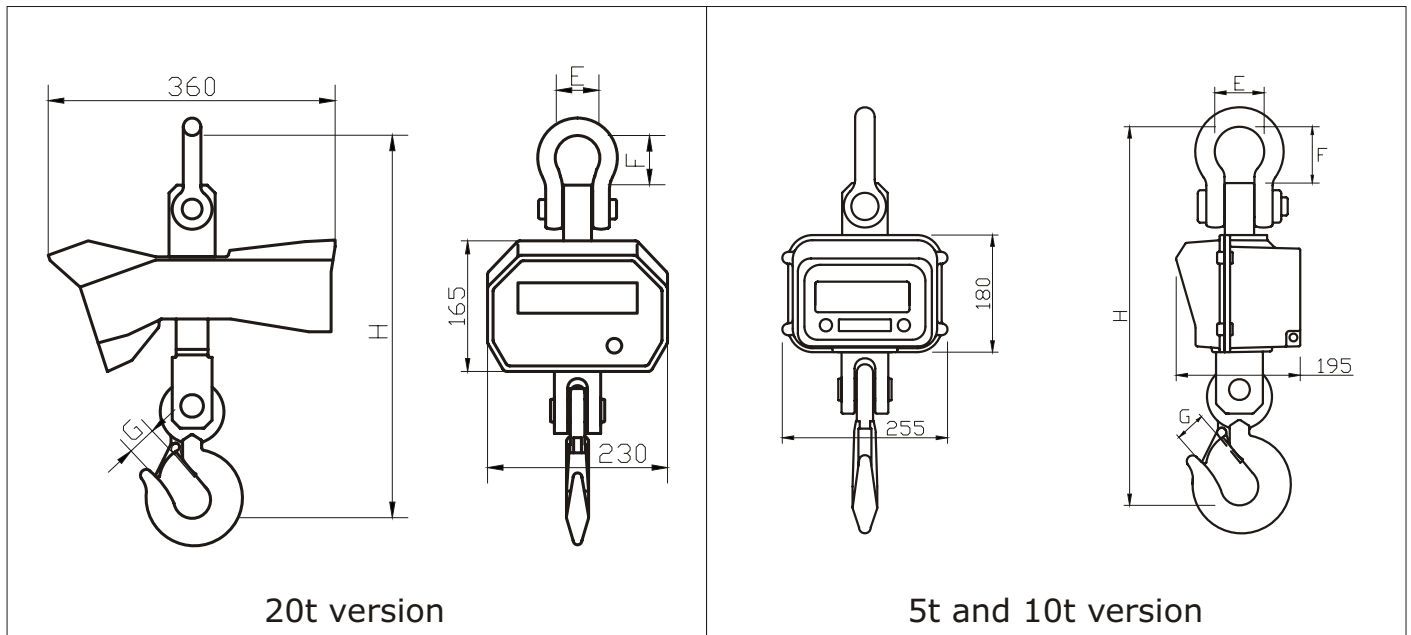
Available in capacities 5, 10 and 20 tonne.

Bright LED display makes it easy to read in the lowest light applications.

Large keys make operation simple even if wearing gloves.

Supplied with remote control with tare and hold facility.

Supplied in purpose built wooden storage/transit case.



Specifications

Part Number	JW5T	JW10T	JW20T
Capacity	5000kg	10,000kg	20,000kg
Resolution	2kg	5kg	10kg
Units	kg	kg	kg
Weight	18kg	29kg	75kg
Battery Type	Internal rechargeable		
Battery Life	20hrs		
Display Type	30mm LED		
Operating Temp	-10 to 40c		
Accuracy	+/- 0.3% of applied load		
Dimension E	72mm	90mm	140mm
Dimension F	90mm	110mm	230mm
Dimension G	36mm	50mm	70mm
Dimension H	595mm	660mm	980mm