

E520

Digital, Euro & Sterling Coinchecker



- Counts Euros & Sterling coins
- Pre-programmed coin weights
- Counts loose or bagged coin
- 'Big bag' mode
- Accumulator
- Large weigh plate
- Battery or mains
- Simple to operate

E520 Digital, Euro & Sterling Coinchecker

Features

The E520 digital coinchecker from Salter Brecknell offers high accuracy and complete flexibility in a very simple to operate, portable scale.

Select to count Euros or Sterling via a single front panel push button. Once this selection is made, there are an additional eight dedicated buttons for selection of the coin denomination - 1c, 2c, 5c, 10c, 20c, €1 and €2 or 1p, 2p, 5p, 10p, 20p, 50p, £1 and £2.

For multiple counts of the same coin denomination, the E520 retains the selected coin type and value until another selection is made. This feature speeds up counting by allowing the operator to simply load the scale.

The single channel accumulator allows the value of coin being counted to be added up and totalled without the need for a piece of paper or a calculator. The E520 gives a running total of number of transactions and value after each entry to the accumulator.

A push button tare allows the weight of any coin scoop to be taken out of the weighing process, to ensure the accuracy of the coin count.

In addition to counting loose coin, the E520 has a special 'big bag' mode which enables the operator to quickly check the contents of bags of coins issued from the bank. The pre-programming for this mode includes both the weight of the individual coinage and the total weight of any packaging, plastic bags, coin wraps etc., so that the user can be sure that a sealed 'big bag' has the correct contents without the need to open it.

E520 can be mains powered, or for total portability, powered from six dry cell batteries. Good quality alkaline batteries will give up to 800 hours usage. Alternatively, an optional rechargeable battery pack can be used, giving up to 200 hours usage.



a division of Avery Weigh-Tronix

Options

Rechargeable Batteries

Protective Cover

Coin Scoop

Specifications

Plate Size - 300 mm x 220 mm, stainless steel.

Mains Powered - 220 volt, 50 Hz, AC. adaptor supplied.

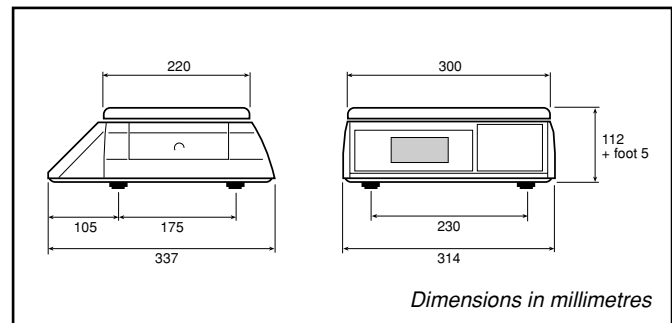
Battery Powered - Dry Cell Batteries. 6 x C Cell batteries.
Optional rechargeable battery pack.

Display - Three line LCD display.

Annunciators - For currency, coin denomination, selected tare and big bag mode.

Pre-Programmed Coin Values/Maximum Count -

Euro	Sterling
1c = €43.00	1p = £28.00
2c = €54.00	2p = £28.00
5c = €125.00	5p = £150.00
10c = €240.00	10p = £150.00
20c = €340.00	20p = £400.00
50c = €640.00	50p = £620.00
€1 = €1325.00	£1 = £1040.00
€2 = €2350.00	£2 = £1660.00



Supplied by

Wessex Scale Co,
Lower Mill, Exford Nr Minehead
Somerset TA24 7QE
Tel: 0845 472 5345 Fax: 01643 800 299
Email: sales@wessexscales.co.uk
Website: www.wessexscales.co.uk