

Wessex Scale Co Model BS+1650T and BS+2020T data sheet

The stainless steel table top Berkel Bone Saw Plus Range, gives greater flexibility in capacity and performance, ideal for larger independent food retailers, supermarkets and small food processors, for cutting bone-in, fresh and frozen meat and fish products

The Berkel Bone Saw Plus Range is fitted with a two speed motor and comes complete with a separate blade, providing a complete solution to cut all products, including bone-in, fresh and frozen meats and fish.

Strong, reliable, safe and easy-to-use bone saws; entirely stainless steel construction and details.

Complete with pressing arm, portion-making device, safety microswitch.

You can adjust the inclination of the pulley horizontally and vertically to assure the best contact of the blade.

High-powered ventilated motors and handy watertight 24 V push-button panel.

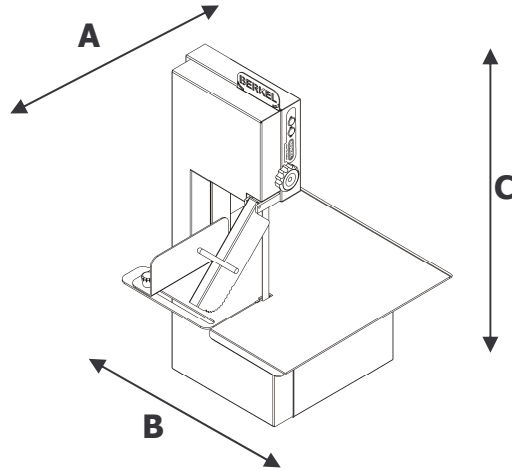
Easy cleaning thanks to three construction features:

- easy removable blade and pulleys without tools;
- once you remove the pulleys, the inside becomes a smooth surface;

DESCRIPTION
Model Range
BS+1650T BS+2020T
SPECIFICATIONS
Finish
The bone saws is constructed from stainless steel.
Blade length
1650mm 2020mm
Pulley diameter
210mm 250mm
Work Capacity
195x250h mm 235x315h mm
Product Sliced
Fresh, semi-fresh, frozen meat with bone-in and fish product.
Product Limitations
The following products should not be sliced on the BS+1650T and BS+2020T range: - Non food products



Product Capacity	Refer to specification matrix overleaf.	Approvals
Environment	The machine should be cleaned at least once a day. High-pressure water and steam cleaning should NOT be used.	CE Conformity: complies with EEC Directives 98/37, 89/336, 73/23, 89/109.
Motor		Switch ON/OFF IP 65

Model BS+1650T and BS+2020T data sheet**DIMENSION CHART****DIMENSIONS**

Model	BS+1650T	BS+2020T
A mm	511 mm	560 mm
B mm	610 mm	600 mm
C mm	803 mm	970 mm

SPECIFICATIONS

Model	BS+1650T	BS+2020T
Model capacity	195x250h mm	235x315h mm
Blade length	1650 mm	2020 mm
Pulley diameter	210 mm	250 mm
Work table size	430x545 mm	480x600 mm
Blade speed (single speed)	900 rpm	900 rpm
Electrical specification	230V 50Hz 1 phase	230V 50Hz 1 phase
Motor specification	0,74 kW	0,74 kW
Overall dimensions (lxdxh)	511x606x803h mm	560x600x970h mm
Net weight	55kg	57kg

Options:

Version 400V 50Hz 3 phase double speed	1400 rpm 1,1 kW	1400 rpm 1,1 kW
Stand		

SHIPPING SPECIFICATIONS

Model	Crate Dimensions			Gross Weight
	Length	Width	Height	
BS+1650T	565 mm	720 mm	1150 mm	62 kg
BS+2020T	750 mm	630 mm	1430 mm	65 kg

Supplied by,

Wessex Scale Co, Lower Mill, Exford Nr Minehead Somerset TA24 7QE
 Tel: 0845 472 5345 Fax: 01643 800 299 Email: sales@wessexscales.co.uk
 Website: www.wessexscales.co.uk