



Washable!

Wessex Scale Co

TITAN Mini Series

Trans-Industrial Technology Advanced Node

HL-WP

Dust & Waterproof Digital Scales

IP65



Stainless Steel Body



A&D ...Clearly a Better Value
A&D Company, Limited



Food Service



Factory

Easy & simple to use for sanitary applications!

- Washable body IP65 (stainless steel body)
- Small-footprint
- 1/3000 high resolution
(HL-300WP, HL-3000WP & HL-3000LWP)
- Portable
(6 AA-type batteries, batteries not included)
- Clear LCD display
- Stability indicator
- Tare function
- Auto power off
- Easy to clean
- AC adapter (optional)

Specifications

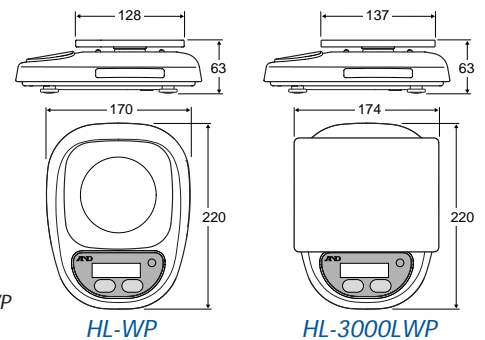
HL-WP	HL-300WP	HL-1000WP	HL-3000WP	HL-3000LWP
Capacity	300g	1000g	3000g	3000g
Resolution	0.1g	0.5g	1g	1g
Display	12mm height, 7 segment Liquid Crystal Display			
Display update	Approx. 4 times per second			
Pan size	128 (W) x 128 (D) mm 5.04 (W) x 5.04 (D) inches		174 (W) x 137 (D) mm 6.85 (W) x 5.39 (D) inches	
Dimensions	170 (W) x 220 (D) x 63 (H) mm 6.68 (W) x 8.64 (D) x 2.50 (H) inches		174 (W) x 220 (D) x 63 (H) mm 6.8 (W) x 8.6 (D) x 2.50 (H) inches	
Battery life (approx.)	Approx. 100 hours with manganese, 200 hours with alkaline			
Weight (approx.)	Approx. 870g		Approx. 950g	
Power	6 x R6P / LR6 / "AA" size batteries or AC adapter			

Specifications subject to change for improvement without notice.

Accessories

AX-TB125 AC Adapter AC200-240V 'C' plug
 AX-TB126 AC Adapter AC200-240V 'BF/S/no' plug
 AX-TB196 AC Adapter AC100V
 AX-TB202 AC Adapter AC120V

Dimensions (mm)



Model	Capacity & Resolution
HL-300WP	300g x 0.1g
HL-1000WP	1000g x 0.5g
HL-3000WP	3000g x 1g
HL-3000LWP	3000g x 1g



TITAN Family

TITAN Compact Series
SK-WP
 Dust & Waterproof Digital Scales



Model	Capacity & Resolution
SK-1000WP	1000g x 0.5g
SK-2000WP	2000g x 1g
SK-5000WP	5000g x 2g
SK-5001WP	5000g x 1g
SK-10KWP	10kg x 0.005kg
SK-20KWP	20kg x 0.01kg

Pan size: 232(W)x192(D)mm

AND ...Clearly a Better Value

Supplied by

Wessex Scale Co, Lower Mill, Exford Nr Minehead Somerset TA24 7QE
 Tel: 0845 472 5345 Fax: 01643 800 299 Email: sales@wessexscales.co.uk
 Website: www.wessexscales.co.uk